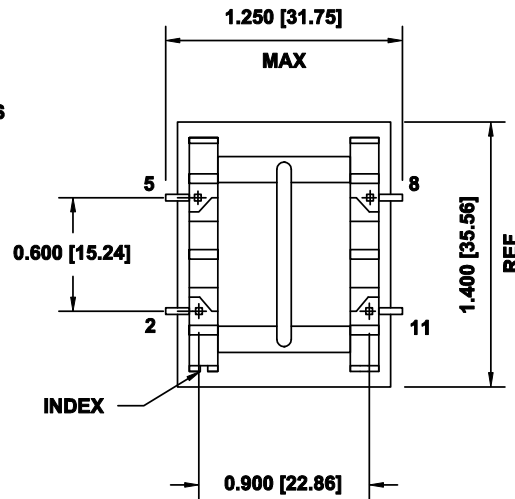
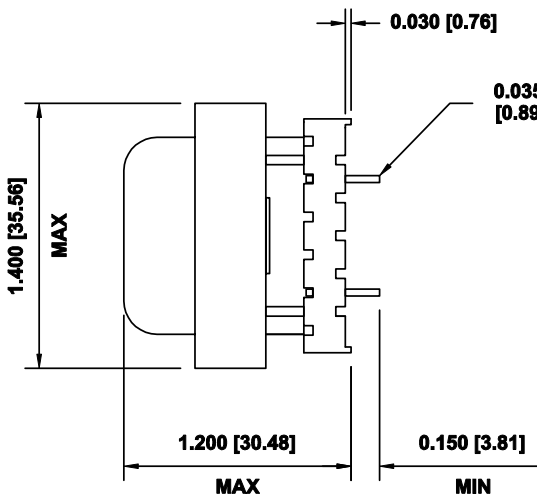


Common Mode Chokes

Package 1

- Wide Range of currents and inductances available.
- 0.50 Amps to 4 Amps.
- 0.35 mH to 14.3 mH.

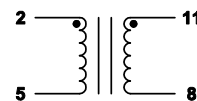
- Cost effective design.
- Low interwinding capacitance.
- Class B (130°C) insulation.
- 3750 Vrms isolation between windings.



320 Series E-Core Common Mode chokes

Package 1			
MODEL NUMBER	MAXIMUM CURRENT (A rms)	Lp +/- 25% (mH)*	MAXIMUM DCR EACH WINDING (Ohm)
320-0545	0.50	14.30	0.800
320-0546	0.75	6.10	0.400
320-0547	1.00	5.32	0.300
320-0548	1.25	3.80	0.210
320-0549	1.50	2.18	0.125
320-0550	2.00	1.13	0.075
320-0551	2.50	0.89	0.055
320-0552	3.00	0.68	0.040
320-0553	3.50	0.50	0.027
320-0554	4.00	0.35	0.023

SCHEMATIC



* Measured criteria: 10mV / 10 KHz.