

COAXIAL ATTENUATORS

CONVECTION COOLED

N-TYPE RA SERIES

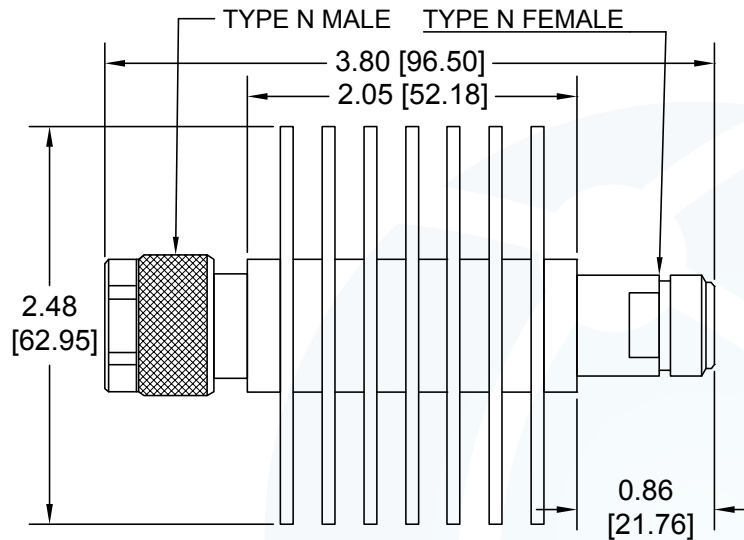
General Specifications

Connectors: N-Type Brass Nickel Plated
 Pins: Gold Plated Brass (Male); Gold Plated Beryllium Copper (Female)
 Housing: Black Anodized Aluminum
 Impedance: 50 Ohms
 Power rating 50W
 Temperature Range: -55°C to +125°C



Part Number	Attenuation Accuracy (dB)						Frequency (GHz)	VSWR (max)
	10	20	30	40	50	60		
RA050-8NMF	±0.4	±0.6	±0.5	±0.8	-1.0/+0.5	-1.0/+0.5	DC-8.0	1.20:1
RA050-12NMF	±0.5	±0.6	±0.8	±1.0	-1.0/+0.75	-1.0/+0.75	DC-12.4	1.25:1
RA050-18NMF	±1.0	±1.0	±1.0	-1.0/+1.5	±1.0	±1.0	DC-18.0	1.30:1

RA050-XXN



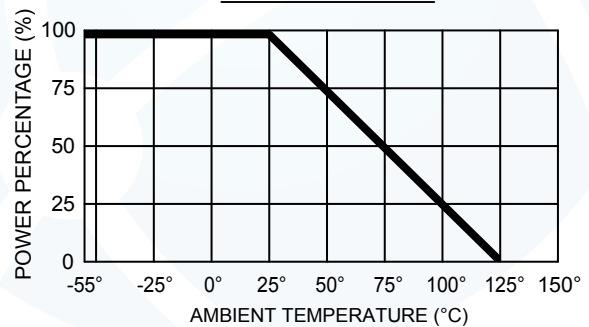
Dimensions are in inches [mm]
 Tolerance: .XXX = ±0.010
 .XX = ±0.015

Ordering Information:

Example: **RA0 50 -4 NMF -dB**

Series RA0
 Power (W) 50
 MAX Frequency (GHz) -4
 12 = 12.4
 26 = 26.5
 N: N-Type
 S: SMA
 Male & Female Connectors
 See Tables For Available Values

DERATING CURVE



COAXIAL ATTENUATORS

CONVECTION COOLED

SMA TYPE RA SERIES



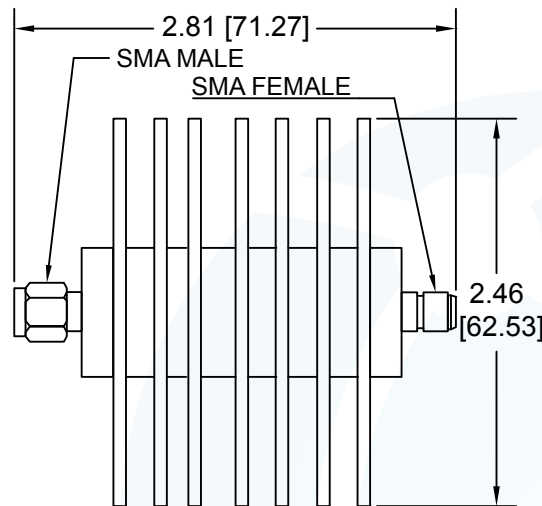
General Specifications

Connectors: SMA Brass Nickel Plated
 Pins: Gold Plated Brass (Male); Gold Plated Beryllium Copper (Female)
 Housing: Black Anodized Aluminum
 Impedance: 50 Ohms
 Power rating 50W
 Temperature Range: -55°C to +125°C



Part Number	Attenuation Accuracy (dB)						Frequency (GHz)	VSWR (max)
	10	20	30	40	50	60		
RA050-12SMF	±0.5	±0.5	±0.8	±0.8	-1.0/+0.7	-1.0/+0.5	DC-12.4	1.25:1
RA050-18SMF	±1.0	±1.0	±1.0	±1.0	±1.0	-1.0/+0.75	DC-18.0	1.30:1
RA050-26SMF	-1.0/+2.5	-1.0/+1.5	-1.0/+1.5	-1.0/+1.5	±1.0	±1.0	DC-16.5	1.35:1

RA050-SXX



Dimensions are in inches [mm]
 Tolerance: .XXX = ±0.010
 .XX = ±0.015

Ordering Information:

Example: **RA0 50 -26 SMF -dB**

Series ↑
 Power (W) ↑
 MAX Frequency (GHz) ↑
 12 = 12.4
 26 = 26.5
 N: N-Type ↑
 S: SMA
 Male & Female Connectors
 See Tables For Available Values

DERATING CURVE

