

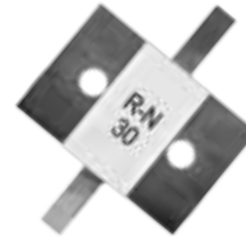
FLANGE ATTENUATORS



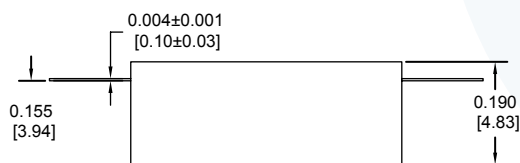
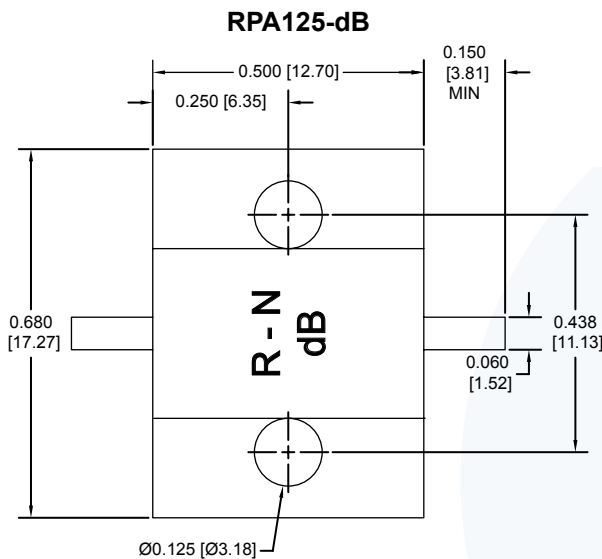
General Specifications

Substrate: Beryllium Oxide
Resistive Film: Thick Film
Tab: Silver Plated Beryllium Copper
Flange: Nickel Plated Copper

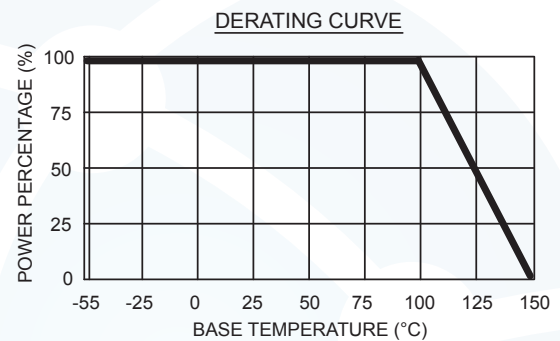
Cover: Alumina
Impedance: 50 Ohms
Tolerance: $\pm 5\%$
Operating Temperature:
-55°C to +150°C



Part Number	Power (W)	Frequency (GHz)	VSWR (max)	Attenuation Accuracy			
				dB	Frequency (GHz)		
RPA125-dB	125	DC-1.0 1.0-2.0 2.0-3.0	1.15:1 1.20:1 1.25:1		DC-1.0	1.0-2.5	2.0-3.0
				0-10	± 0.3	± 0.4	± 0.6
				11-20	± 0.4	± 0.6	± 0.75
				31-30	± 0.5	± 0.75	



Dimensions are in inches [mm],
Tolerance: .XXX = ± 0.010 , .XX = ± 0.015



Ordering Information:

Example:

RPA 125 N - dB

- Series: RPA
- Power Rating: 125
- Substrate Material: N (Aluminum Nitride)
- dB Value: - dB

(No Designation for Beryllium Oxide)
(See Charts for Available Values)

