

# TYPE "TC"

**TEPRO**



## PRECISION POWER WIREWOUNDS FOR PULSE AND SURGE APPLICATIONS

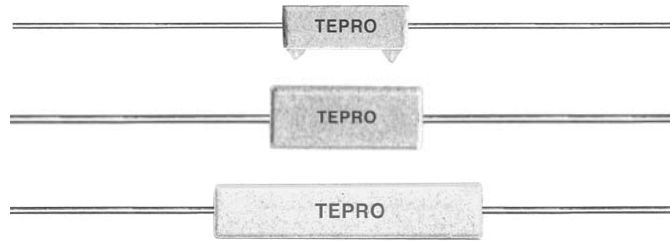
### FEATURES:

- Ceramic encased
- Flame proof construction
- Continuous full power operation
- All welded construction

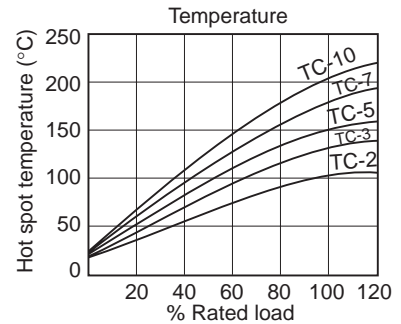
### VARIATIONS:

- Tolerances to .01%
- Temperature coefficients to  $\pm 5$ ppm
- Special fusing for fuse applications
- Available with or without stand offs
- Special pulse handling available
- Consult factory for pulse applications

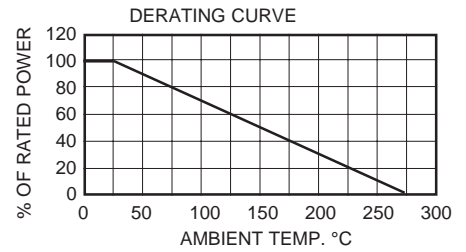
Tepro type TC resistors can function as both a wirewound resistor and a fuse. This dual function allows for easier design of circuits needing built in thermal protection. For design assistance contact the factory.



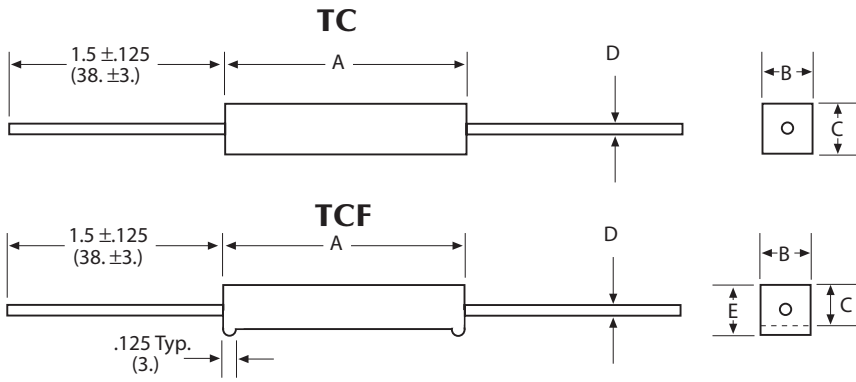
### TEMPERATURE RISE:



### DERATING:



For ambient temperature above 25° C derate according to the above curve.



TCF versions incorporate standoffs on the case bottom.

### STANDARD CONFIGURATIONS AND ELECTRICAL SPECIFICATIONS:

TEPRO TYPE	POWER @ 25°C	RESISTANCE RANGE	DIMENSIONS (mm)				
			A	B	C	D	E
TC-2	2	.001 - 20K	$\pm .03$ (.8)	$\pm .03$ (.8)	$\pm .03$ (.8)	Diameter	$\pm .03$ (.8)
TC-3	3	.001 - 20K	.88 (22)	.310 (8)	.310 (8)	.032 (.8)	.38 (9.5)
TC-5	5	.001 - 40K	.88 (22)	.380 (10)	.350 (9)	.032 (.8)	.41 (10.5)
TC-7	7	.001 - 45K	.139 (35)	.380 (10)	.350 (9)	.032 (.8)	.41 (12.)
TC-10	10	.001 - 50K	1.88 (48)	.380 (10)	.350 (9)	.032 (.9)	.41 (12.)